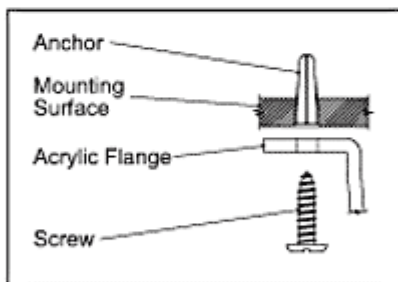
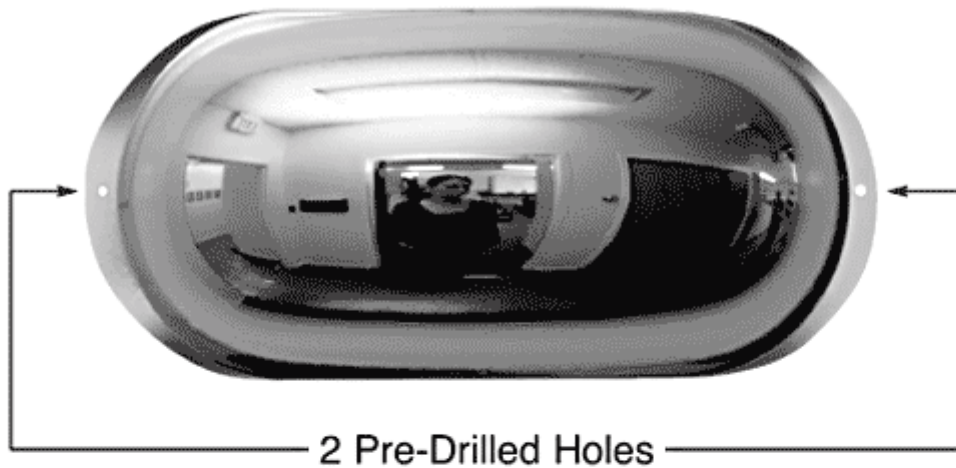


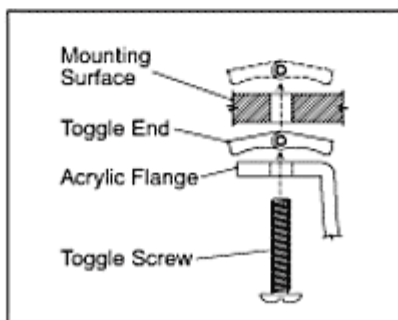
# Office Eye Mounting Instructions

## OFFICE EYE MOUNTING INSTRUCTIONS



Office Eye Domes may be mounted to the wall by screws driven into pre-placed wall anchors.

**OR**



Office Eye Domes may also be mounted by pre-drilling holes in the mounting surface and inserting a toggle bolt assembly (not included) through the pre-drilled holes on the mounting surface, then drawing the Office Eye Dome up by screwing the toggle bolt in.